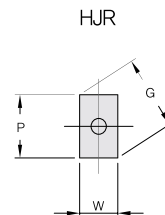
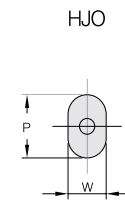
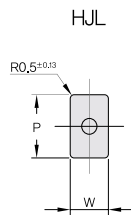
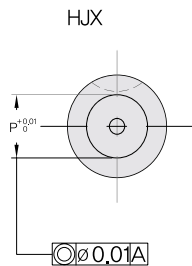
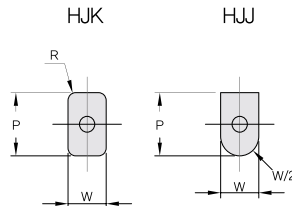
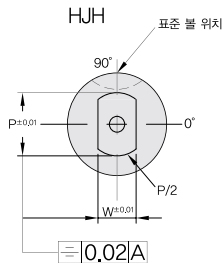
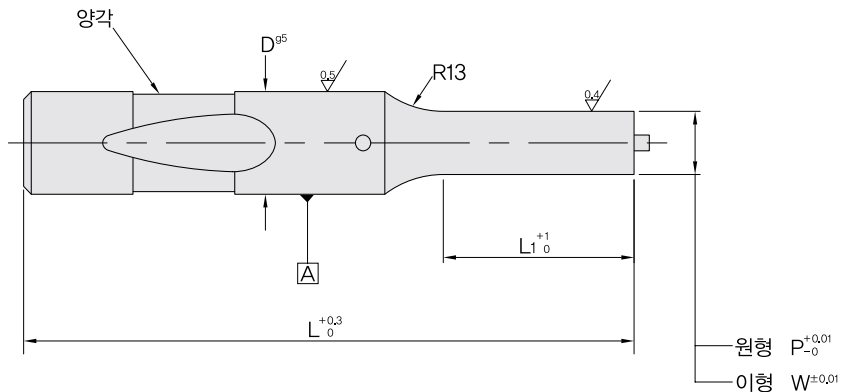




PUNCH - HJ_ BALL LOCK EJECTOR PUNCH

TYPE HJ_ (중하중용)



- * $P \geq W$
- * R=지정가능
- * $G = \sqrt{P^2 + W^2}$

호칭경 D	L1		Type&D	원형 P	Type&D	이형 min. - max. W P/G	L								
	Std. S	Alt. A					Alt. B	63	71	80	90	100	110	125	
10	19	10*	-	HPX10	2.10- 9.97	HP_10	2.10-9.97	●	●	●	●	●	●	●	●
13	19	13	25	HPX13	5.00-12.97	HP_13	4.50-12.97	●	●	●	●	●	●	●	●
16	19	13	25	HPX16	8.00-15.97	HP_16	6.00-15.97	●	●	●	●	●	●	●	●
20	19	13	25	HPX20	12.00-19.97	HP_20	8.00-19.97	●	●	●	●	●	●	●	●
25	19	13	25	HPX25	16.00-24.97	HP_25	10.00-24.97		●	●	●	●	●	●	●
32	19	13	25	HPX32	24.97-31.97	HP_32	12.97-31.97		●	●	●	●	●	●	●
40	25	19	30	HPX40	30.00-39.97	HP_40	14.00-39.97			●	●	●	●	●	●

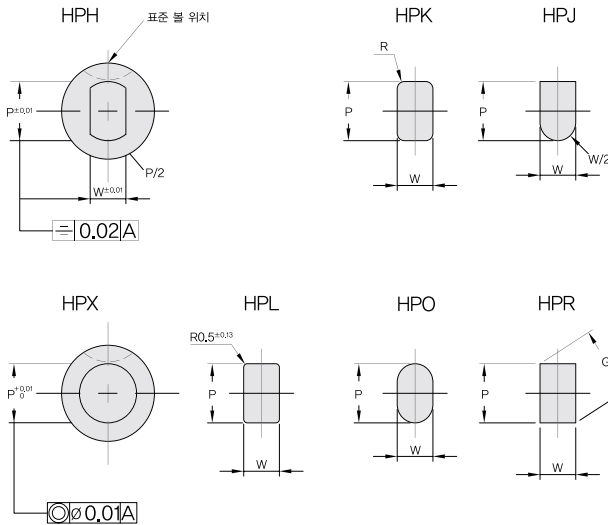
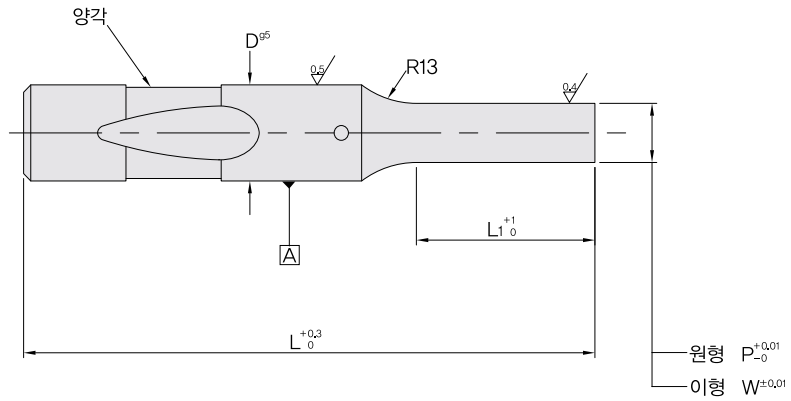
* Min P or W = 1,60 when L1 = 10

규격표기 방법	Catalog No.	D	-	L1	-	L	-	P,W
	HJX	13	-	13	-	80	-	P7.0
	HJR	10	-	10	-	71	-	P8.5, W6.5



PUNCH - HP_ BALL LOCK PUNCH

TYPE HP_ (중하중용)



- * $P \geq W$
- * R=지정가능
- * $G = \sqrt{P^2 + W^2}$

호칭경 D	L1			Type&D	원형 P	Type&D	이형 min. - max. W P/G	L							
	Std. S	Alt. A	Alt. B					63	71	80	90	100	110	125	
10	19	10*	-	HPX10	2.10- 9.97	HP_10	2.10-9.97	●	●	●	●	●	●	●	●
13	19	13	25	HPX13	5.00-12.97	HP_13	4.50-12.97	●	●	●	●	●	●	●	●
16	19	13	25	HPX16	8.00-15.97	HP_16	6.00-15.97	●	●	●	●	●	●	●	●
20	19	13	25	HPX20	12.00-19.97	HP_20	8.00-19.97	●	●	●	●	●	●	●	●
25	19	13	25	HPX25	16.00-24.97	HP_25	10.00-24.97		●	●	●	●	●	●	●
32	19	13	25	HPX32	24.97-31.97	HP_32	12.97-31.97		●	●	●	●	●	●	●
40	25	19	30	HPX40	30.00-39.97	HP_40	14.00-39.97			●	●	●	●	●	●

* Min P or W = 1,60 when L1 = 10

규격표기 방법	Catalog No.	D	-	L1	-	L	-	P,W
	HPX	13	-	13	-	80	-	P7.0
	HPR	10	-	10	-	71	-	P8.5, W6.5